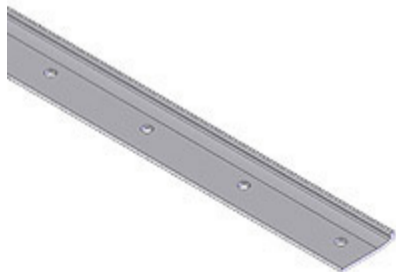


CLAMP ALUM ROOF & S/WALL LNG 8'



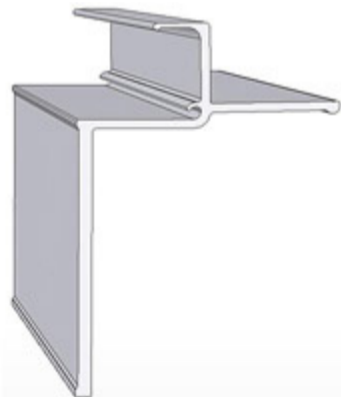
01-2055-0-001

- **CAN USE 01-2055-0-002, 327" LG.
REPLACES 03-2055-0-004, -005**
- **-012, -013, -014, -015, -016, -017, -020,
AND -021.**



UTILITY TRAILER SALES
SOUTHERN CALIFORNIA

RAIL ALUM TOP 3000R 625"



01-6650-0-150

- **VS2RA/3000R. REPLACES 03-6650-0-457, -458.**



UTILITY TRAILER SALES
SOUTHERN CALIFORNIA

RAIL ALUM FRONT TOP 95 7/8"

No
Image
Available

03-6650-0-471

- **3000R, VS1RA AND VS2RA**



UTILITY TRAILER SALES
SOUTHERN CALIFORNIA

RAIL ALUM FRONT TOP 101 7/8"



03-6650-0-423

- **3000R. REPLACES 01-6650-0-163 AND 03-6650-0-437.**



**UTILITY TRAILER SALES
SOUTHERN CALIFORNIA**

VS2RA 2000 - 2006 > Roof Assembly

Roof Lining Interior

01-2205-0-062

KL.060X96X??

KL.075X96X??

KL.090X96X??



COIL

KEMLITE COIL

COIL KEMLITE

KEMLITE COIL .090" X 96" X ??'

ALUMINUM ROOF COIL (BULK)

040X103

- **REF. PART # 040X103-FT FOR ROOF COIL BY THE FOOT PRICING.**

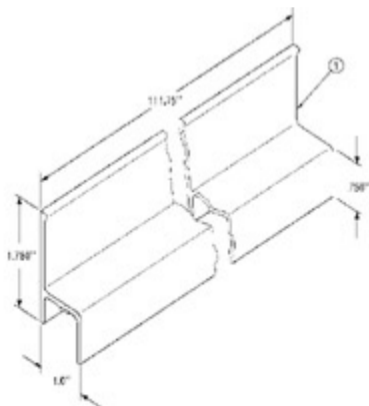


POST ALUM HAT 106 3/8"



01-6500-0-138

POST ALUM J HD 1 X 111-3/4



01-6500-0-157

- **REPLACES 01-6500-0-142 AND 03-6500-0-403**

VS2RA 2000 - 2006 > Roof Assembly

Header Rear

[01-8788-0-005](#)

[04-4050-0-070](#)

[04-4050-0-077](#)

[04-4050-0-080](#)

[04-4050-0-086](#)

[THRESHOLD FLUSH REAR CASE R/UP](#)

[HEADER ASSY 102W 3000R](#)

[HEADER ASSY SST SATIN](#)

[HEADER ASSY SATIN FINISH](#)

[HEADER ASSY SST SATIN 102W](#)

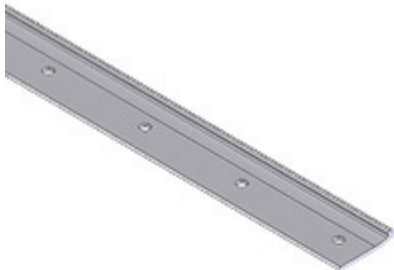
GUSSET ALUM TOP FRT CRNS

03-3851-0-007

- **VS1RA & VS2RA.**



CLAMP ALUM STRIP DF 327"

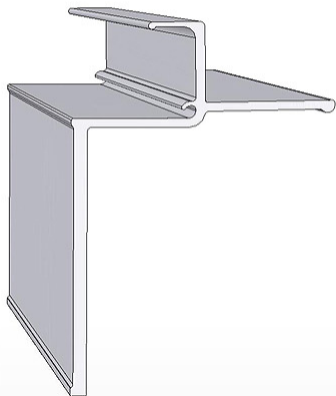


01-2055-0-002

- **SAME AS 01-2055-0-001 EXCEPT LENGTH = 8'.**
- **REPLACES 01-2055-0-009.**

RAIL ALUM TOP 2-4" WEDGE 625"

Sold in full lengths only!!



01-6650-0-164

- **REPLACES 01-6650-0-177 WHICH IS 565", 03-6650-0-507, -508.**
- **FOR 3000R AND VS2RA.**